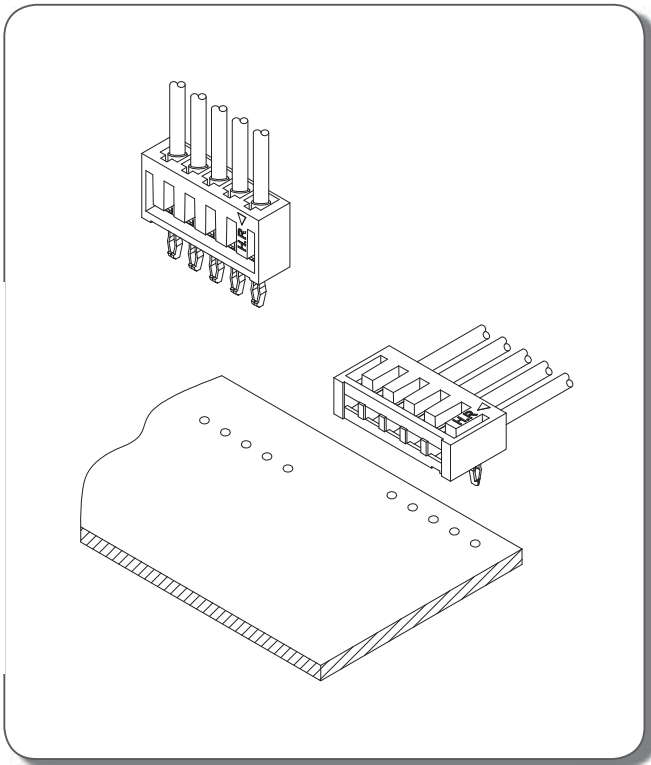




B2512 SERIES

2.50mm pitch board-in connector



Specifications

Current rating: 3A AC,DC
 Voltage rating: 250V AC,DC
 Temperature range: -25°C ~ +85°C
 Contact resistance: 10mΩ Max.
 Insulation resistance: 1000MΩ Min.
 Withstanding voltage: 800V AC/minute
 Contact H.R for details

Standards



E179987

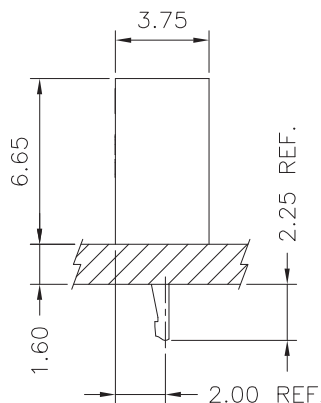
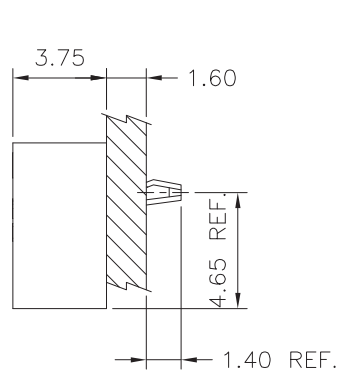


LR113464



R 3-50004394

Assembly layout



Ordering code

① ② ③ ④ ⑤
B2512 V-T B E

- ① Series No.
- ② Terminal type: V=Vertical, R=Right angle
- ③ Plating code: T=Tin-plated
- ④ Material: B=Brass
- ⑤ E=Stamping before plating

① ② ③ ④ ⑤
B2512 HV A-05P -46

- ① Series No.
- ② Housing type: HV=Vertical, HR=Right angle
- ③ Blank=Normal type, A=A type
- ④ No. of circuits
- ⑤ Option code:
-46=Nylon 46



B2512 SERIES

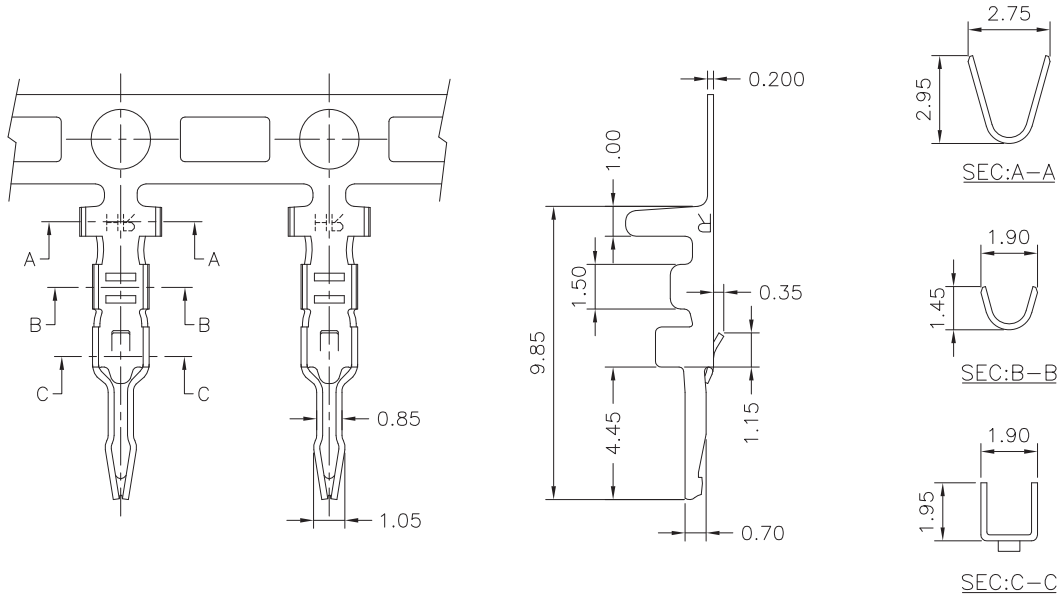
2.50mm pitch board-in connector

B2512V-T

—2.50mm pitch 180° Crimp Terminal—

Reference Informations:

*Used in H.R B2512HV series Housing



Ordering Information & Specifications:

Unit:mm

Part No.	Wire Range	Insulation O.D.	Material	Finish	Qty/reel
B2512V-TBE	AWG#22-#28	1.70mm(max)	Brass	Tin-plated	10,000pcs

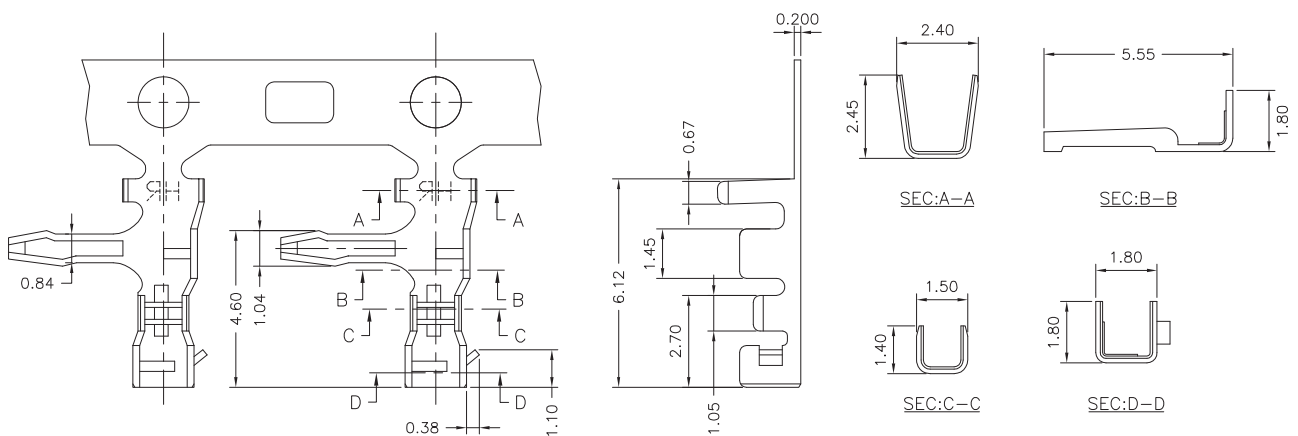
Note:E-Stamping before Tin-plated

B2512R-T

—2.50mm pitch 90° Crimp Terminal—

Reference Informations:

*Used in H.R B2512HR series Housing



Ordering Information & Specifications:

Unit:mm

Part No.	Wire Range	Insulation O.D.	Material	Finish	Qty/reel
B2512R-TBE	AWG#22-#28	1.70mm(max)	Brass	Tin-plated	10,000pcs

Note:E-Stamping before Tin-plated



B2512 SERIES

2.50mm pitch board-in connector

B2512HV

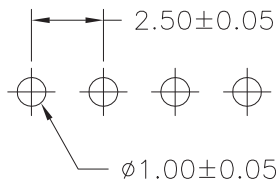
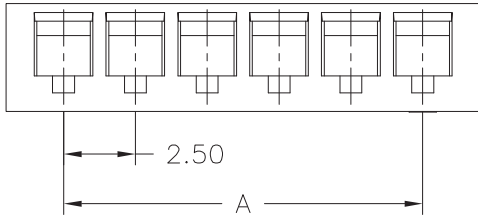
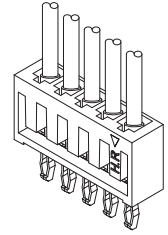
— 2.50mm pitch 180° Housing —

Reference Informations:

- *Material: Nylon 66,UL94V-0
- *Suitable H.R B2512V series Terminal
- *Nylon 46 is available

B2512HV-05P N 0 W NP N 00 G
 ① ② ③ ④ ⑤ ⑥ ⑦

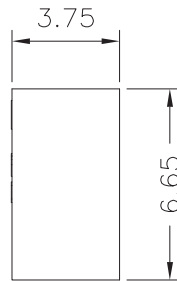
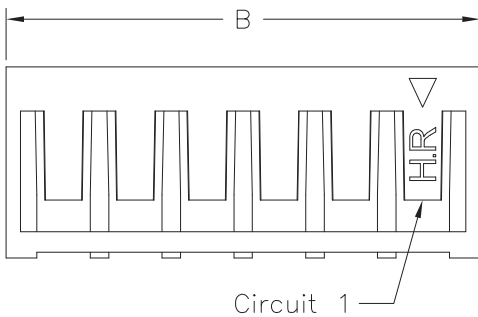
- ① N=Halogen Free
- ② Material: 0=Nylon 66-V0
- ③ Color: W=White
- ④ Plating code: NP=Non-plating
- ⑤ Plating code: N=Non-plating
- ⑥ Option code: 00=Standard
- ⑦ Packing code: G=Bag



Ordering Information & Dimensions:

PART NO.	Dimensions	
	A	B
B2512HV-02P	2.50	6.50
B2512HV-03P	5.00	9.00
B2512HV-04P	7.50	11.50
B2512HV-05P	10.00	14.00
B2512HV-06P	12.50	16.50
B2512HV-07P	15.00	19.00
B2512HV-08P	17.50	21.50
B2512HV-09P	20.00	24.00
B2512HV-10P	22.50	26.50
B2512HV-11P	25.00	29.00
B2512HV-12P	27.50	31.50
B2512HV-13P	30.00	34.00
B2512HV-14P	32.50	36.50
B2512HV-15P	35.00	39.00
B2512HV-16P	37.50	41.50

Unit:mm



B2512HR

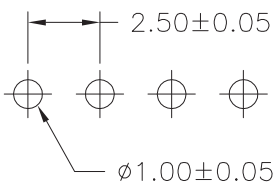
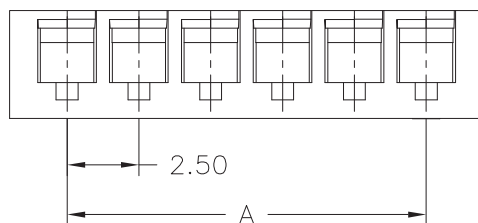
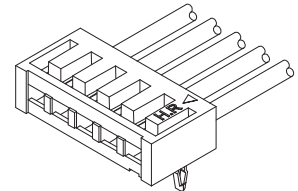
— 2.50mm pitch 90° Housing —

Reference Informations:

- *Material: Nylon 66,UL94V-0
- *Suitable H.R B2512R series Terminal
- *Nylon 46 is available

B2512HR-05P N 0 W NP N 00 G
 ① ② ③ ④ ⑤ ⑥ ⑦

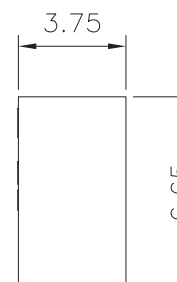
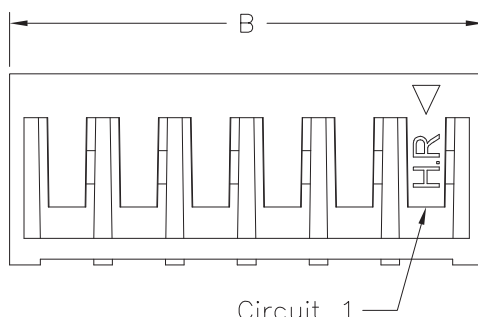
- ① N=Halogen Free
- ② Material: 0=Nylon 66-V0
- ③ Color: W=White
- ④ Plating code: NP=Non-plating
- ⑤ Plating code: N=Non-plating
- ⑥ Option code: 00=Standard
- ⑦ Packing code: G=Bag



Ordering Information & Dimensions:

PART NO.	Dimensions	
	A	B
B2512HR-02P	2.50	6.50
B2512HR-03P	5.00	9.00
B2512HR-04P	7.50	11.50
B2512HR-05P	10.00	14.00
B2512HR-06P	12.50	16.50
B2512HR-07P	15.00	19.00
B2512HR-08P	17.50	21.50
B2512HR-09P	20.00	24.00
B2512HR-10P	22.50	26.50
B2512HR-11P	25.00	29.00
B2512HR-12P	27.50	31.50
B2512HR-13P	30.00	34.00
B2512HR-14P	32.50	36.50
B2512HR-15P	35.00	39.00
B2512HR-16P	37.50	41.50

Unit:mm





B2512 SERIES

2.50mm pitch board-in connector

B2512HVA

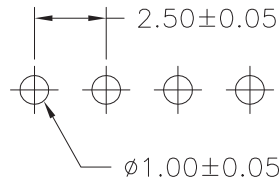
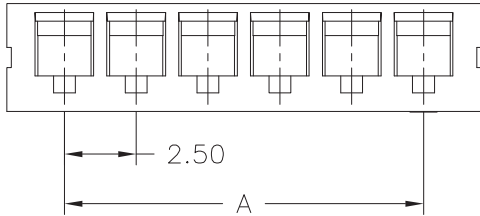
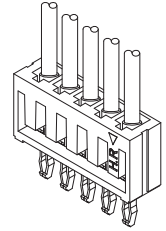
— 2.50mm pitch 180° Housing —

Reference Informations:

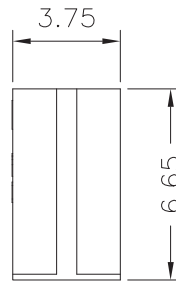
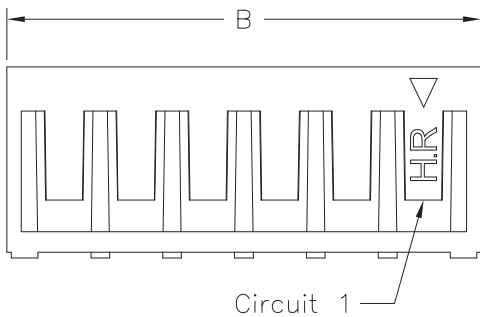
- *Material: Nylon 66,UL94V-0
- *Suitable H.R B2512V series Terminal
- *Nylon 46 is available

B2512HVA-05P N 0 W NP N 00 G
 ① ② ③ ④ ⑤ ⑥ ⑦

- ① N=Halogen Free
- ② Material: 0=Nylon 66-V0
- ③ Color: W=White
- ④ Plating code: NP=Non-plating
- ⑤ Plating code: N=Non-plating
- ⑥ Option code: 00=Standard
- ⑦ Packing code: G=Bag



P.C.B LAYOUT



Ordering Information & Dimensions:

PART NO.	Dimensions	
	A	B
B2512HVA-02P	2.50	6.50
B2512HVA-03P	5.00	9.00
B2512HVA-04P	7.50	11.50
B2512HVA-05P	10.00	14.00
B2512HVA-06P	12.50	16.50
B2512HVA-07P	15.00	19.00
B2512HVA-08P	17.50	21.50
B2512HVA-09P	20.00	24.00
B2512HVA-10P	22.50	26.50
B2512HVA-11P	25.00	29.00
B2512HVA-12P	27.50	31.50
B2512HVA-13P	30.00	34.00
B2512HVA-14P	32.50	36.50
B2512HVA-15P	35.00	39.00
B2512HVA-16P	37.50	41.50

Unit:mm

B2512HRA

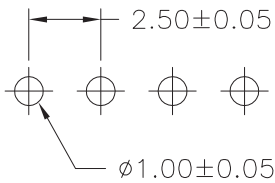
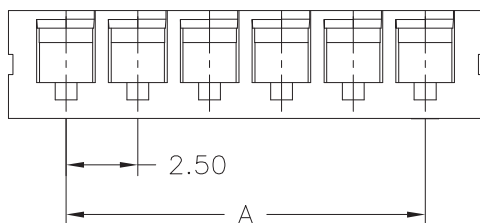
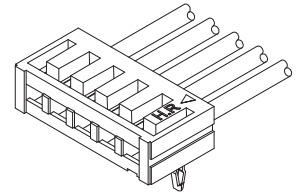
— 2.50mm pitch 90° Housing —

Reference Informations:

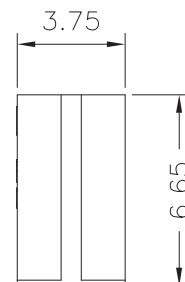
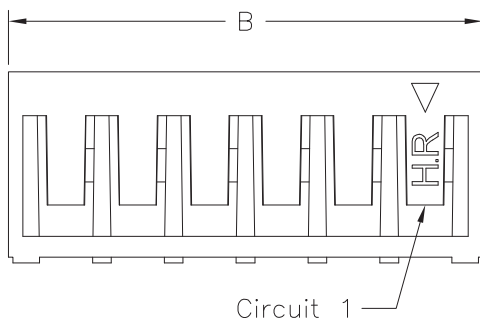
- *Material: Nylon 66,UL94V-0
- *Suitable H.R B2512R series Terminal
- *Nylon 46 is available

B2512HRA-05P N 0 W NP N 00 G
 ① ② ③ ④ ⑤ ⑥ ⑦

- ① N=Halogen Free
- ② Material: 0=Nylon 66-V0
- ③ Color: W=White
- ④ Plating code: NP=Non-plating
- ⑤ Plating code: N=Non-plating
- ⑥ Option code: 00=Standard
- ⑦ Packing code: G=Bag



P.C.B LAYOUT



Ordering Information & Dimensions:

PART NO.	Dimensions	
	A	B
B2512HRA-02P	2.50	6.50
B2512HRA-03P	5.00	9.00
B2512HRA-04P	7.50	11.50
B2512HRA-05P	10.00	14.00
B2512HRA-06P	12.50	16.50
B2512HRA-07P	15.00	19.00
B2512HRA-08P	17.50	21.50
B2512HRA-09P	20.00	24.00
B2512HRA-10P	22.50	26.50
B2512HRA-11P	25.00	29.00
B2512HRA-12P	27.50	31.50
B2512HRA-13P	30.00	34.00
B2512HRA-14P	32.50	36.50
B2512HRA-15P	35.00	39.00
B2512HRA-16P	37.50	41.50

Unit:mm