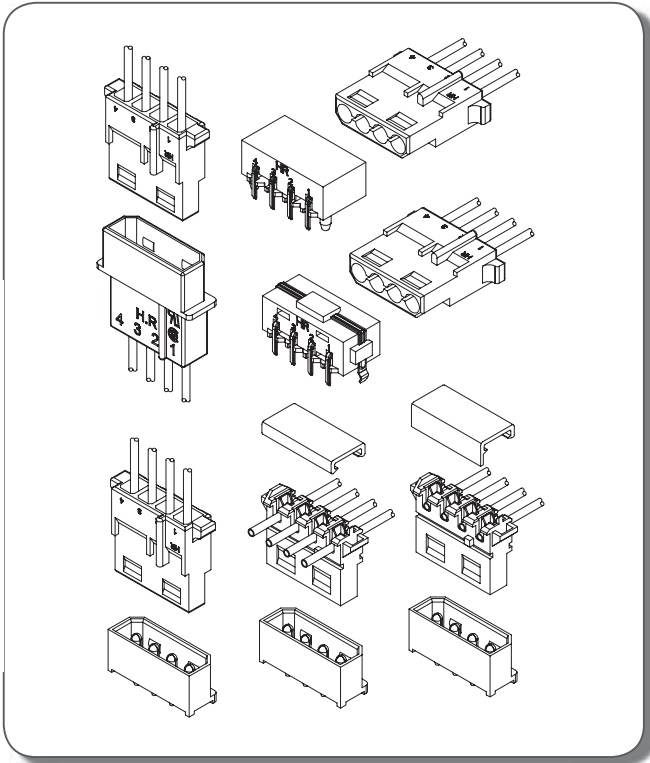




C5080 SERIES

5.08mm pitch wire to wire and wire to board connector



Specifications

- Current rating: 10A AC,DC
- Voltage rating: 250V AC,DC
- Temperature range: -25°C ~ +85°C
- Contact resistance: 10mΩ Max.
- Insulation resistance: 1000MΩ Min.
- Withstanding voltage: 1500V AC/minute
- *Contact H.R for details*

Standards



E179987

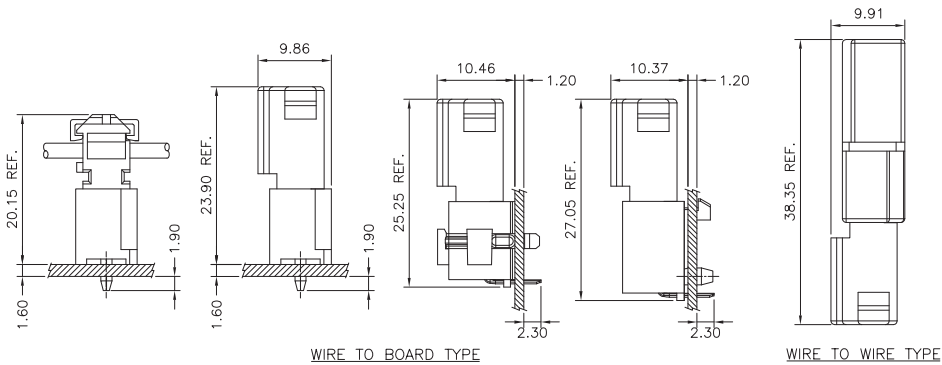


LR113464



R 3-50004394

Assembly layout



Ordering code

① ② ③ ④ ⑤ ⑥
C5080 F-T B E -H

- ① Series No.
- ② Terminal type: F=Female, M=Male
- ③ Plating code: T=Tin-plated
- ④ Material: B=Brass
- ⑤ E=Stamping before plating
- ⑥ Option code: -H=For AWG#14-#20 wire

① ② ③ ④
C5080 HI-04P -18

- ① Series No.
- ② Housing type: HF=Receptacle, HM=Plug, HI=I.D.C. Connector
- ③ No. of circuits
- ④ Option code: -18=For AWG#18 wire,

① ② ③ ④ ⑤
C5080 WR -F-04P R

- ① Series No.
- ② Connector type: WV=Vertical, WR=Right angle
- ③ Blank=Normal type
-F=With Peg
- ④ No. of circuits
- ⑤ Option code:
R=Reverse type



C5080 SERIES

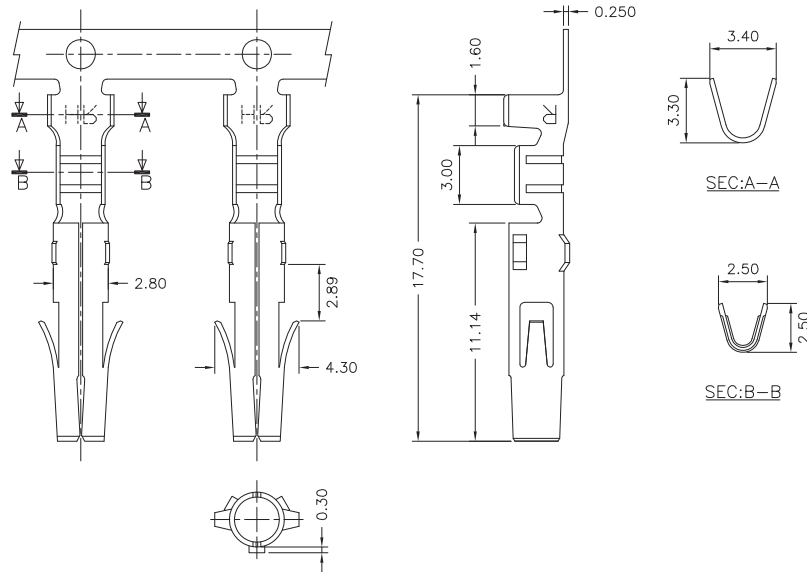
5.08mm pitch wire to wire and wire to board connector

C5080F-T

5.08mm pitch Crimp Terminal

Reference Informations:

*Used in H.R C5080HF series Housing



Ordering Information & Specifications:

Unit:mm

Part No.	Wire Range	Insulation O.D.	Material	Finish	Qty/reel
C5080F-TBE	AWG#18-#24	2.50mm(max)	Brass	Tin-plated	7,000pcs

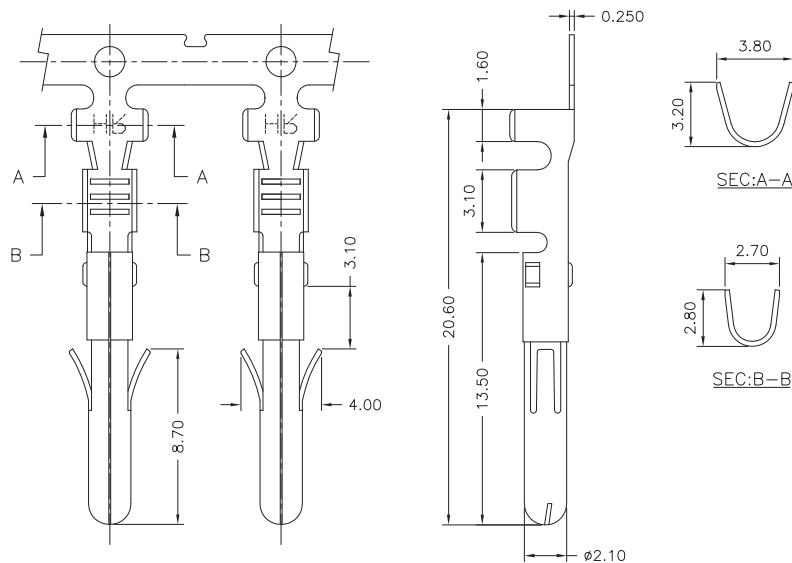
Note:E-Stamping before Tin-plated

C5080M-T

5.08mm pitch Crimp Terminal

Reference Informations:

*Used in H.R C5080HM series Housing



Ordering Information & Specifications:

Unit:mm

Part No.	Wire Range	Insulation O.D.	Material	Finish	Qty/reel
C5080M-TBE	AWG#18-#24	2.50mm(max)	Brass	Tin-plated	7,000pcs

Note:E-Stamping before Tin-plated



C5080 SERIES

5.08mm pitch wire to wire and wire to board connector

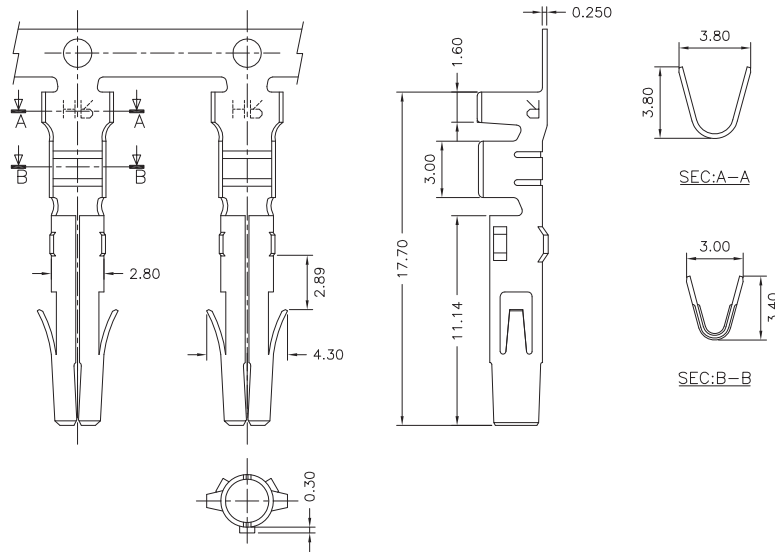


C5080F-T

5.08mm pitch Crimp Terminal

Reference Informations:

*Used in H.R C5080HF series Housing



Ordering Information & Specifications:

Unit:mm

Part No.	Wire Range	Insulation O.D.	Material	Finish	Qty/reel
C5080F-TBE-H	AWG#14-#20	3.30mm(max)	Brass	Tin-plated	7,000pcs

Note:E-Stamping before Tin-plated



C5080HF-04P

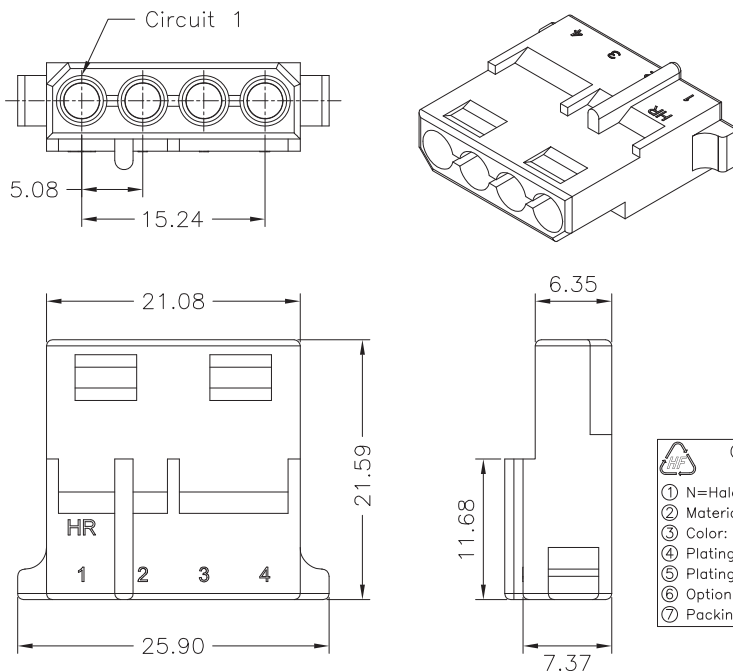
5.08mm pitch Housing

Reference Informations:

*Material: Nylon 66,UL94V-2

*Suitable H.R C5080F series Terminal

*Mates with H.R C5080HM series Housing or C5080 series Wafer



C5080HF-04P		N	2	N	NP	N	00	G
		①	②	③	④	⑤	⑥	⑦
①	N=Halogen Free							
②	Material: 2=Nylon 66-V2, 0=Nylon 66-V0							
③	Color: N=Natural(Translucent), W=White							
④	Plating code: NP=Non-plating							
⑤	Plating code: N=Non-plating							
⑥	Option code: 00=Standard							
⑦	Packing code: G=Bag							



C5080 SERIES

5.08mm pitch wire to wire and wire to board connector

C5080HM-04P

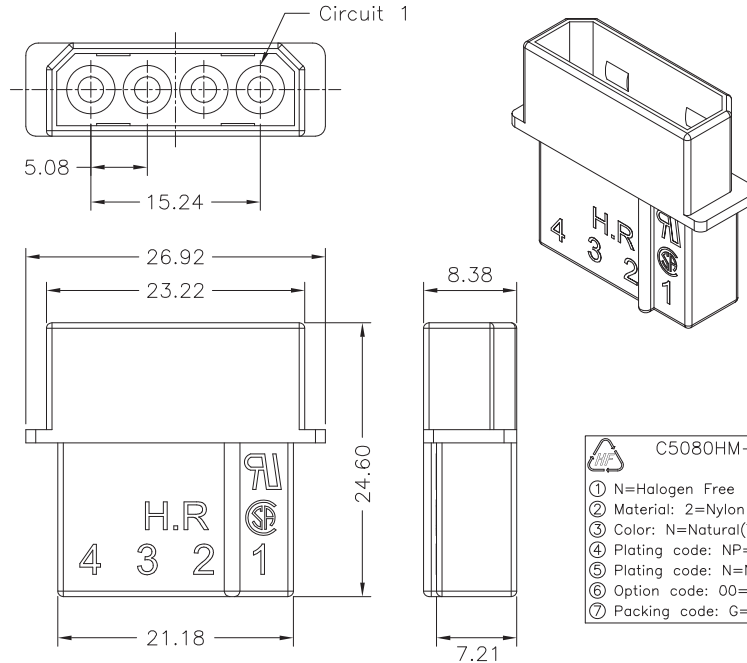
5.08mm pitch Housing

Reference Informations:

*Material: Nylon 66,UL94V-2

*Suitable H.R C5080M series Terminal

*Mates with H.R C5080HF series Housing or C5080HI series I.D.C. Connector



	C5080HM-04P	N	2	N	NP	N	00	G
		①	②	③	④	⑤	⑥	⑦

① N=Halogen Free
 ② Material: 2=Nylon 66-V2, 0=Nylon 66-V0
 ③ Color: N=Natural(Translucent), W=White
 ④ Plating code: NP=Non-plating
 ⑤ Plating code: N=Non-plating
 ⑥ Option code: 00=Standard
 ⑦ Packing code: G=Bag

C5080HI-04P

5.08mm pitch Insulation Displacement Connector

Reference Informations:

*Material: Terminal: Phosphor Bronze/Tin-plated

Housing: Nylon 66,UL94V-2

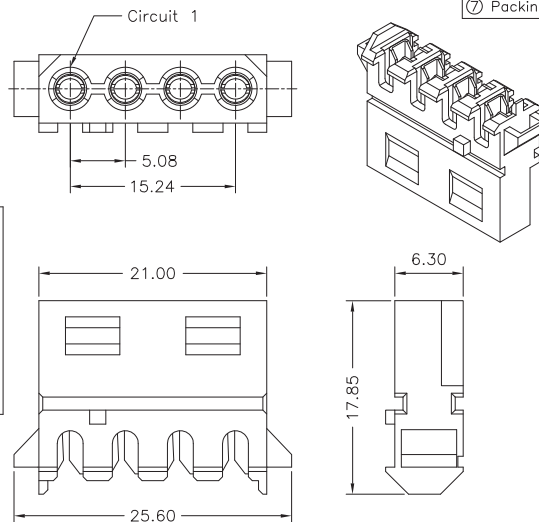
Cap: Nylon 66,UL94V-2

*Mates with H.R C5080HM series Housing or C5080 series Wafer

Ordering Information:

C5080HI-04P-*

1. Part No.
 2. AWG of Wire:
 16-AWG#16
 18-AWG#18
 20-AWG#20
 22-AWG#22



	C5080HI-04P	N	2	N	NP	N	C0	G
		①	②	③	④	⑤	⑥	⑦

① N=Halogen Free
 ② Material: 2=Nylon 66-V2
 ③ Color: N=Natural(Translucent)
 ④ Plating code: NP=Non-plating
 ⑤ Plating code: N=Non-plating
 ⑥ Option code: C0=Through type, CA=End type
 ⑦ Packing code: G=Bag

	C5080HI-04P	N	2	N	T1	N	18	G
		①	②	③	④	⑤	⑥	⑦

① N=Halogen Free
 ② Material: 2=Nylon 66-V2
 ③ Color: N=Natural(Translucent)
 ④ Plating code: T1=Tin-plated
 ⑤ Plating code: N=Non-plating
 ⑥ Option code: 16=AWG#16, 18=AWG#18, 20=AWG#20, 22=AWG#22
 ⑦ Packing code: G=Bag



C5080 SERIES

5.08mm pitch wire to wire and wire to board connector

C5080WV-04P

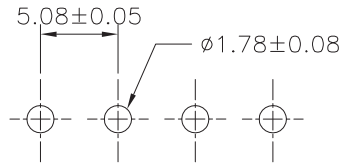
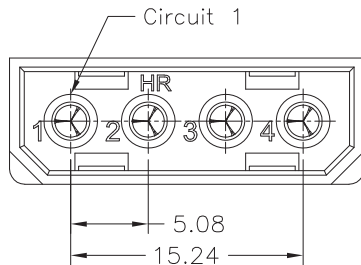
5.08mm pitch 180° Wafer

Reference Informations:

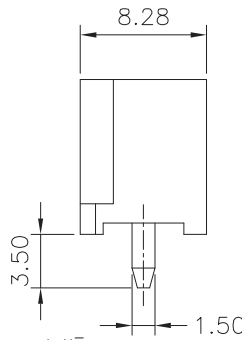
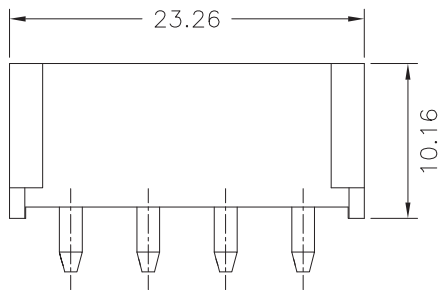
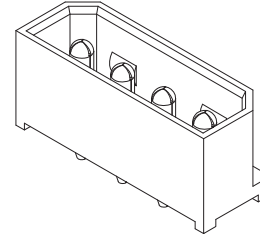
*Material: Pin: Brass/Tin-plated

Wafer: Nylon 66,UL94V-2

*Mates with H.R C5080HF series Housing or C5080HI series I.D.C. Connector



P.C.B. LAYOUT



	C5080WV-04P						
	N	2	N	T1	N	00	B
①	②	③	④	⑤	⑥	⑦	

① N=Halogen Free
 ② Material: 2=Nylon 66-V2
 ③ Color: N=Natural(Translucent)
 ④ Plating code: T1=Tin-plated
 ⑤ Plating code: N=Non-plating
 ⑥ Option code: 00=Standard
 ⑦ Packing code: B=Tray

C5080WR-F-04P

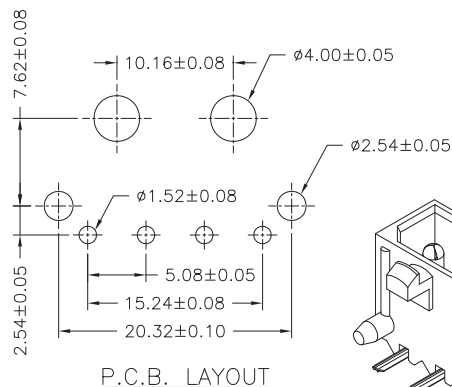
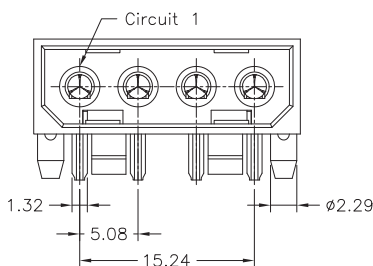
5.08mm pitch 90° Wafer With Peg

Reference Informations:

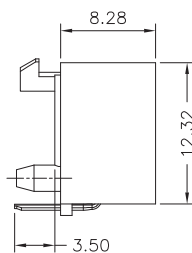
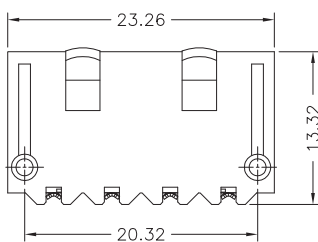
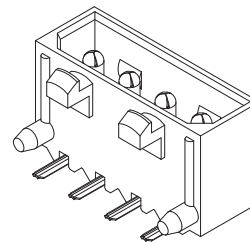
*Material: Pin: Brass/Tin-plated

Wafer: Nylon 66,UL94V-2

*Mates with H.R C5080HF series Housing or C5080HI series I.D.C. Connector



P.C.B. LAYOUT



	C5080WR-F-04P						
	N	2	N	T1	N	00	B
①	②	③	④	⑤	⑥	⑦	

① N=Halogen Free
 ② Material: 2=Nylon 66-V2
 ③ Color: N=Natural(Translucent)
 ④ Plating code: T1=Tin-plated
 ⑤ Plating code: N=Non-plating
 ⑥ Option code: 00=Standard
 ⑦ Packing code: B=Tray



C5080 SERIES

5.08mm pitch wire to wire and wire to board connecto

C5080WR-04P

5.08mm pitch 90° Wafer

Reference Informations:

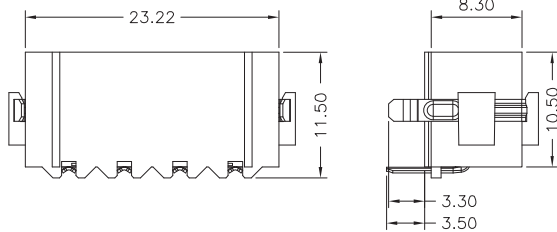
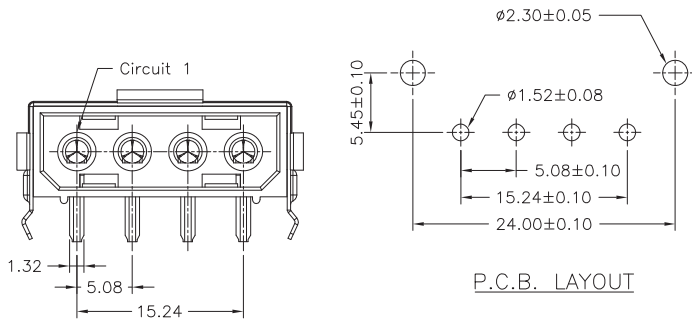
*Material: Pin: Brass/Tin-plated

Metal Band: Brass/Tin-plated

Wafer: Nylon 6T,UL94V-0

*Mates with H.R C5080HF series Housing or C5080HI series I.D.C. Connector

	C5080WR-04P						
	N	6	B	T1	T	00	B
①	②	③	④	⑤	⑥	⑦	
① N=Halogen Free							
② Material: 6=Nylon 6T							
③ Color: B=Black							
④ Plating code: T1=Tin-plated							
⑤ Plating code: T=Tin-plated							
⑥ Option code: 00=Standard							
⑦ Packing code: B=Tray							



C5080WR-04PR

5.08mm pitch 90° Wafer - Reverse Type

Reference Informations:

*Material: Pin: Brass/Tin-plated

Metal Band: Brass/Tin-plated

Wafer: Nylon 6T,UL94V-0

*Mates with H.R C5080HF series Housing or C5080HI series I.D.C. Connector

	C5080WR-04P						
	N	6	B	T1	T	R0	B
①	②	③	④	⑤	⑥	⑦	
① N=Halogen Free							
② Material: 6=Nylon 6T							
③ Color: B=Black							
④ Plating code: T1=Tin-plated							
⑤ Plating code: T=Tin-plated							
⑥ Option code: R0=Reverse type							
⑦ Packing code: B=Tray							

