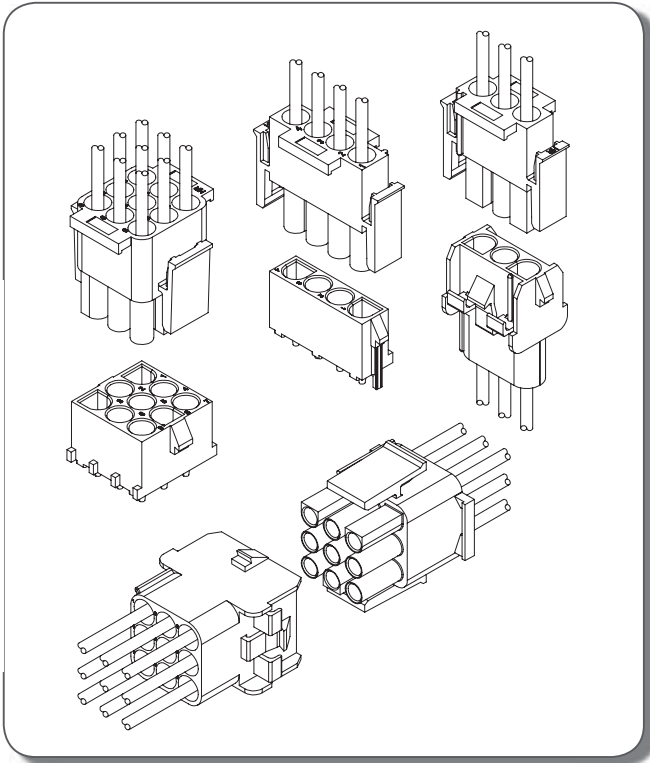




C6350 SERIES

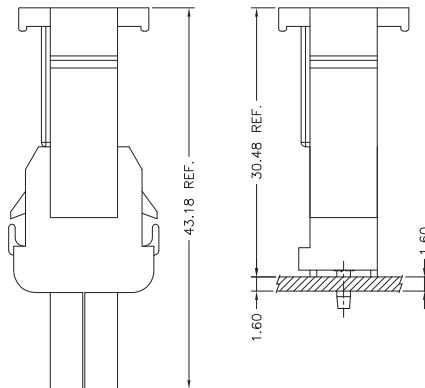
6.35mm pitch wire to wire and wire to board connector



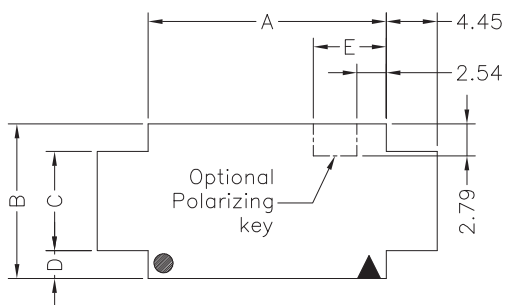
Specifications

- Current rating: 15A AC,DC
- Voltage rating: 600V AC,DC
- Temperature range: -25°C ~ +85°C
- Contact resistance: 3.5mΩ Max.
- Insulation resistance: 1000MΩ Min.
- Withstanding voltage: 5000V AC/minute
- *Contact H.R for details*

Assembly layout



Panel hole layout



- ▲ Circuit 1 location when using polarizing key option with 2,3,4,5,6,8 circuit housing
- option with 3X2,3X3,3X4,3X5 circuit housing

PART NO.	Dimensions				
	A	B	C	D	E
C6350HM-02P	14.35	13.46	8.64	2.41	6.35
C6350HM-03P	20.70	13.46	8.64	2.41	6.35
C6350HM-04P	27.05	13.46	8.64	2.41	6.35
C6350HM-05P	33.40	13.46	8.64	2.41	6.35
C6350HM-06P	39.75	13.46	8.64	2.41	6.35
C6350HM-08P	52.45	13.46	8.64	2.41	6.35
C6350HM-3X02P	14.35	26.16	12.19	6.99	6.35
C6350HM-3X03P	20.70	26.16	12.19	6.99	6.35
C6350HM-3X04P	27.05	26.16	12.19	6.99	8.89
C6350HM-3X05P	33.40	26.16	12.19	6.99	8.89

Unit:mm



Ordering code

① ② ③ ④ ⑤
C6350 F-T B E

- ① Series No.
- ② Terminal type: F=Female, M=Male
- ③ Plating code: T=Tin-plated
- ④ Material: B=Brass
- ⑤ E=Stamping before plating

① ② ③ ④ ⑤
C6350 HF-3X 05P -V2

- ① Series No.
- ② Housing type: HF=Receptacle
HM=Plug
- ③ Blank=Single row, 3X=Triple row
- ④ No. of circuits
- ⑤ Option code:
-V0=UL94V-0
-V2=UL94V-2

① ② ③ ④ ⑤ ⑥
C6350 WV -F-3X 05P MV2

- ① Series No.
- ② Connector type: WV=Vertical
- ③ Blank=Normal type
-F=With boss
- ④ Blank=Single row, 3X=Triple row
- ⑤ No. of circuits
- ⑥ Option code:
MV0=UL94V-0, Male type
MV2=UL94V-2, Male type
FV0=UL94V-0, Female type
FV2=UL94V-2, Female type



C6350 SERIES

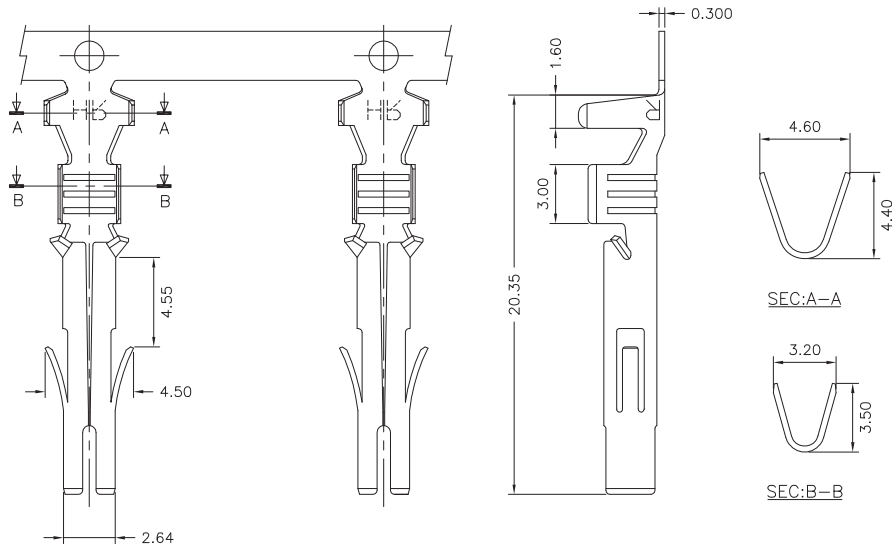
6.35mm pitch wire to wire and wire to board connector

C6350F-T

6.35mm pitch Crimp Terminal

Reference Informations:

*Used in H.R C6350HF or C6350HM series Housing



Ordering Information & Specifications:

Unit:mm

Part No.	Wire Range	Insulation O.D.	Material	Finish	Qty/reel
C6350F-TBE	AWG#14-#20	3.30mm(max)	Brass	Tin-plated	4,000pcs

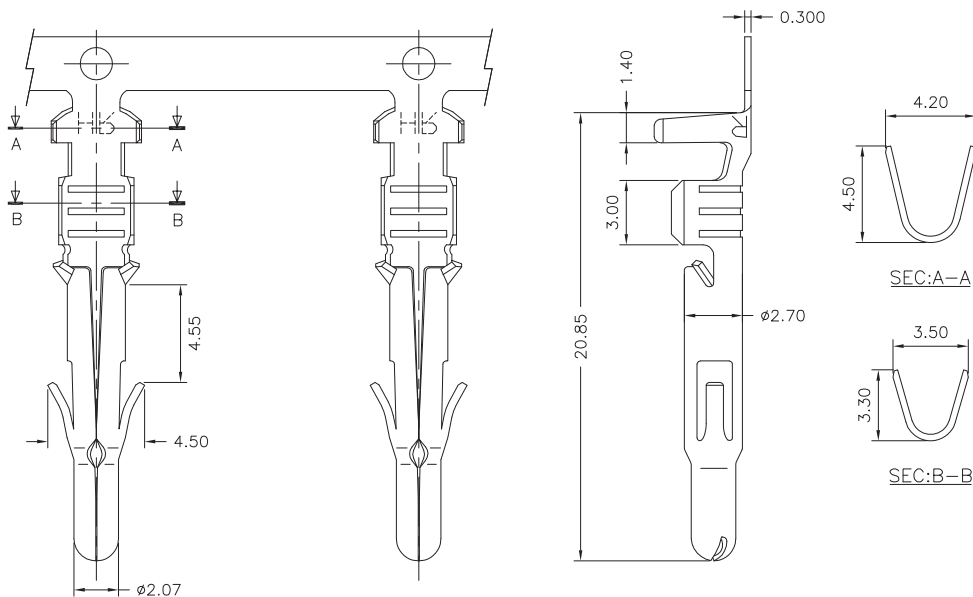
Note:E-Stamping before Tin-plated

C6350M-T

6.35mm pitch Crimp Terminal

Reference Informations:

*Used in H.R C6350HF or C6350HM series Housing



Ordering Information & Specifications:

Unit:mm

Part No.	Wire Range	Insulation O.D.	Material	Finish	Qty/reel
C6350M-TBE	AWG#14-#20	3.30mm(max)	Brass	Tin-plated	4,000pcs

Note:E-Stamping before Tin-plated



C6350 SERIES

6.35mm pitch wire to wire and wire to board connector

C6350HF

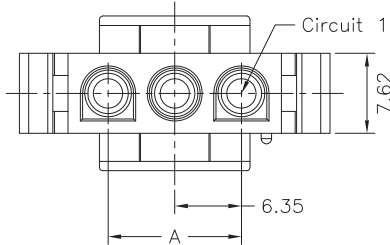
6.35mm pitch Single Row Housing

Reference Informations:

- *Material: Nylon 66,UL94V-0 or UL94V-2
- *Suitable H.R C6350F or C6350M series Terminal
- *Mates with H.R C6350HM series single row Housing or C6350 series single row Wafer

	C6350HF-05P	N	0	W	NP	N	00	G
		①	②	③	④	⑤	⑥	⑦

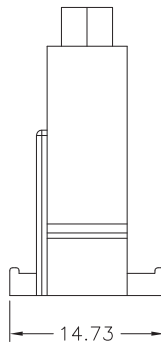
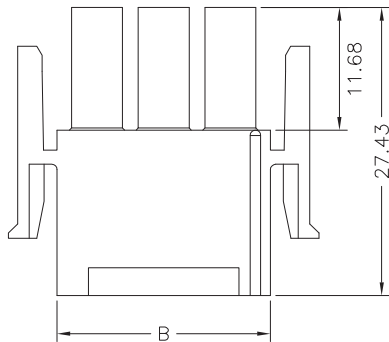
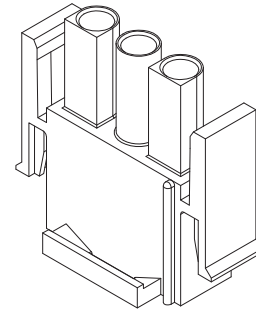
① N=Halogen Free
 ② Material: 0=Nylon 66-V0, 2=Nylon 66-V2
 ③ Color: W=White, N=Natural(Translucent)
 ④ Plating code: NP=Non-plating
 ⑤ Plating code: N=Non-plating
 ⑥ Option code: 00=Standard
 ⑦ Packing code: G=Bag



Ordering Information:

C6350HF-XP-*

1. Part No.
 2. Material:
 V0-UL94V-0
 V2-UL94V-2



Ordering Information & Dimensions:

PART NO.	Dimensions	
	A	B
C6350HF-02P	6.35	13.97
C6350HF-03P	12.70	20.32
C6350HF-04P	19.05	26.67
C6350HF-05P	25.40	33.02
C6350HF-06P	31.75	39.37
C6350HF-08P	44.45	52.07

Unit:mm

C6350HM

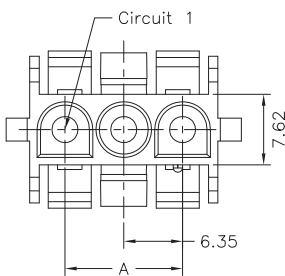
6.35mm pitch Single Row Housing

Reference Informations:

- *Material: Nylon 66,UL94V-0 or UL94V-2
- *Suitable H.R C6350M or C6350F series Terminal
- *Mates with H.R C6350HF series single row Housing

	C6350HM-05P	N	0	W	NP	N	00	G
		①	②	③	④	⑤	⑥	⑦

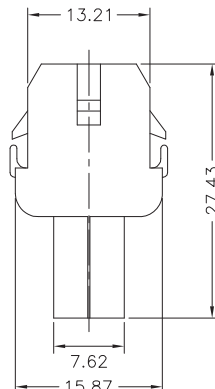
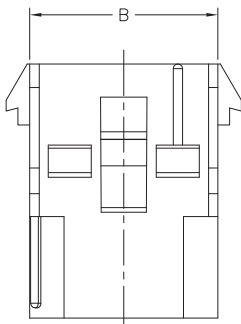
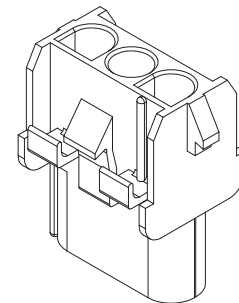
① N=Halogen Free
 ② Material: 0=Nylon 66-V0, 2=Nylon 66-V2
 ③ Color: W=White, N=Natural(Translucent)
 ④ Plating code: NP=Non-plating
 ⑤ Plating code: N=Non-plating
 ⑥ Option code: 00=Standard
 ⑦ Packing code: G=Bag



Ordering Information:

C6350HM-XP-*

1. Part No.
 2. Material:
 V0-UL94V-0
 V2-UL94V-2



Ordering Information & Dimensions:

PART NO.	Dimensions	
	A	B
C6350HM-02P	6.35	13.97
C6350HM-03P	12.70	20.32
C6350HM-04P	19.05	26.67
C6350HM-05P	25.40	33.02
C6350HM-06P	31.75	39.37
C6350HM-08P	44.45	52.07

Unit:mm



C6350 SERIES

6.35mm pitch wire to wire and wire to board connector

C6350HF-3

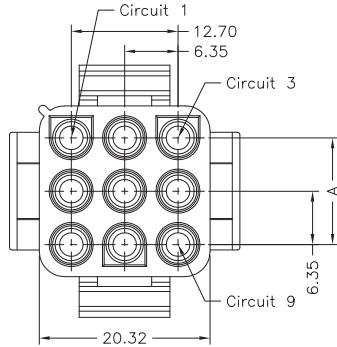
6.35mm pitch Triple Row Housing

Reference Informations:

- *Material: Nylon 66, UL94V-0 or UL94V-2
- *Suitable H.R C6350F or C6350M series Terminal
- *Mates with H.R C6350HM series triple row Housing or C6350 series triple row Wafer

	C6350HF-3X05P						
	N	Q	W	NP	N	00	G
	①	②	③	④	⑤	⑥	⑦

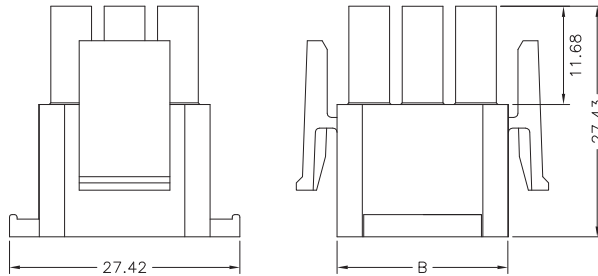
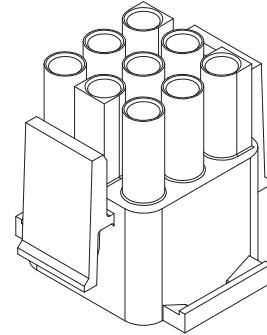
① N=Halogen Free
② Material: 0=Nylon 66-V0, 2=Nylon 66-V2
③ Color: W=White, N=Natural(Translucent)
④ Plating code: NP=Non-plating
⑤ Plating code: N=Non-plating
⑥ Option code: 00=Standard
⑦ Packing code: G=Bag



Ordering Information:

C6350HF-3XNP-*

1. Part No.
2. Material:
V0-UL94V-0
V2-UL94V-2



Ordering Information & Dimensions:

PART NO.	Dimensions	
	A	B
C6350HF-3X02P	6.35	13.97
C6350HF-3X03P	12.70	20.32
C6350HF-3X04P	19.05	26.67
C6350HF-3X05P	25.40	33.02

Unit:mm

C6350HM-3

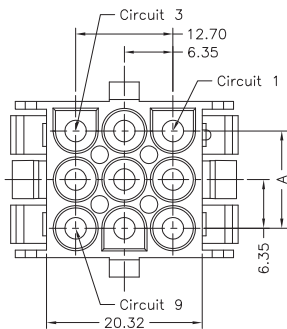
6.35mm pitch Triple Row Housing

Reference Informations:

- *Material: Nylon 66, UL94V-0 or UL94V-2
- *Suitable H.R C6350M or C6350F series Terminal
- *Mates with H.R C6350HF series triple row Housing

	C6350HM-3X05P						
	N	Q	W	NP	N	00	G
	①	②	③	④	⑤	⑥	⑦

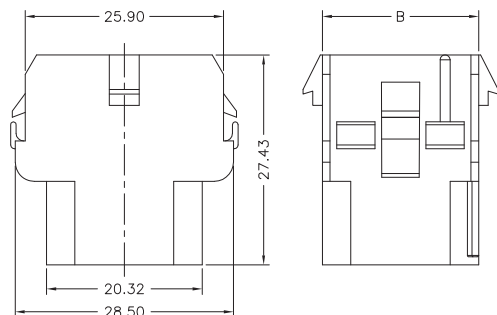
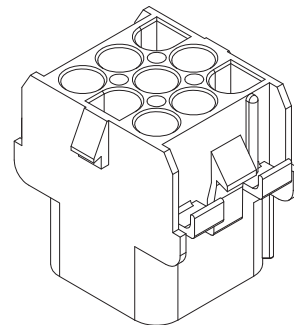
① N=Halogen Free
② Material: 0=Nylon 66-V0, 2=Nylon 66-V2
③ Color: W=White, N=Natural(Translucent)
④ Plating code: NP=Non-plating
⑤ Plating code: N=Non-plating
⑥ Option code: 00=Standard
⑦ Packing code: G=Bag



Ordering Information:

C6350HM-3XNP-*

1. Part No.
2. Material:
V0-UL94V-0
V2-UL94V-2



Ordering Information & Dimensions:

PART NO.	Dimensions	
	A	B
C6350HM-3X02P	6.35	14.05
C6350HM-3X03P	12.70	20.40
C6350HM-3X04P	19.05	26.75
C6350HM-3X05P	25.40	33.10

Unit:mm



C6350 SERIES

6.35mm pitch wire to wire and wire to board connector

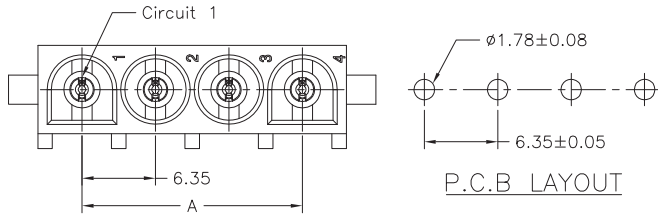
C6350WV

6.35mm pitch 180° Single Row Wafer - Male Type

Reference Informations:

- *Material: Pin: Brass/Tin-plated
Wafer: Nylon 66,UL94V-0 or UL94V-2
- *Mates with H.R C6350HF series single row Housing

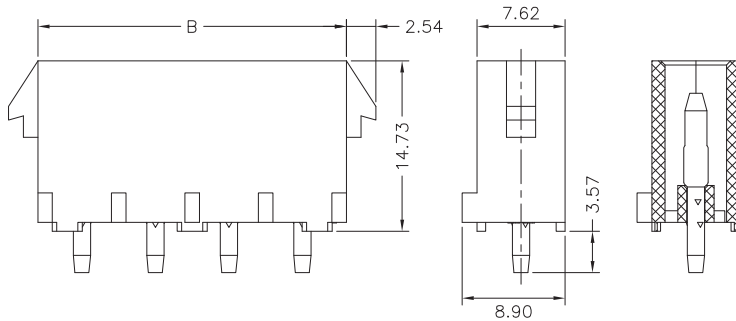
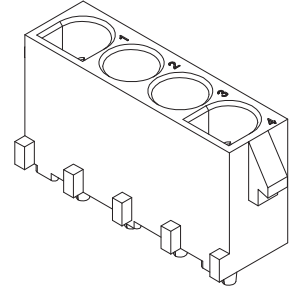
	C6350WV-05P	N	0	W	T1	N	M0	G
		①	②	③	④	⑤	⑥	⑦
①	N=Halogen Free							
②	Material: 0=Nylon 66-V0, 2=Nylon 66-V2							
③	Color: W=White, N=Natural(Translucent)							
④	Plating code: T1=Tin-plated							
⑤	Plating code: N=Non-plating							
⑥	Option code: M0=Male pin							
⑦	Packing code: G=Bag							



Ordering Information:

C6350WV-XPM *

1. Part No.
2. Material:
V0-UL94V-0
V2-UL94V-2



Ordering Information & Dimensions:

PART NO.	Dimensions	
	A	B
C6350WV-02PM	6.35	13.97
C6350WV-03PM	12.70	20.32
C6350WV-04PM	19.05	26.67
C6350WV-05PM	25.40	33.02
C6350WV-06PM	31.75	39.37
C6350WV-08PM	44.45	52.07

Unit:mm

C6350WV-F

6.35mm pitch 180° Single Row Wafer With Polarizing Peg - Male Type

Reference Informations:

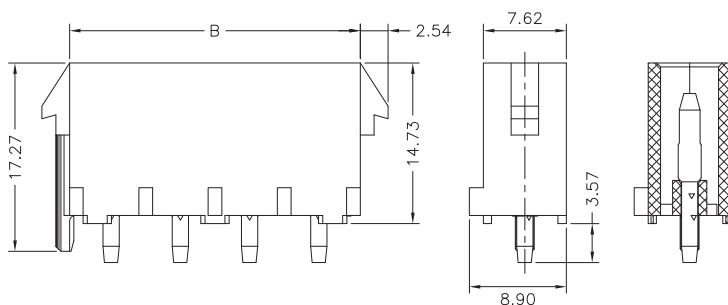
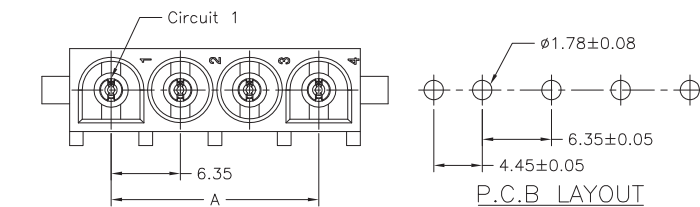
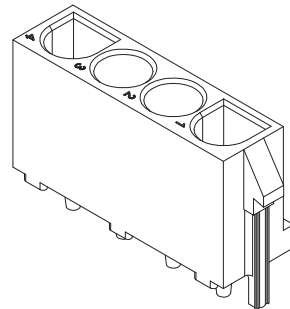
- *Material: Pin: Brass/Tin-plated
Wafer: Nylon 66,UL94V-0 or UL94V-2
- *Mates with H.R C6350HF series single row Housing

	C6350WV-F-05P	N	0	W	T1	N	M0	G
		①	②	③	④	⑤	⑥	⑦
①	N=Halogen Free							
②	Material: 0=Nylon 66-V0, 2=Nylon 66-V2							
③	Color: W=White, N=Natural(Translucent)							
④	Plating code: T1=Tin-plated							
⑤	Plating code: N=Non-plating							
⑥	Option code: M0=Male pin							
⑦	Packing code: G=Bag							

Ordering Information:

C6350WV-F-XPM *

1. Part No.
2. Material:
V0-UL94V-0
V2-UL94V-2



Ordering Information & Dimensions:

PART NO.	Dimensions	
	A	B
C6350WV-F-02PM	6.35	13.97
C6350WV-F-03PM	12.70	20.32
C6350WV-F-04PM	19.05	26.67
C6350WV-F-05PM	25.40	33.02
C6350WV-F-06PM	31.75	39.37
C6350WV-F-08PM	44.45	52.07

Unit:mm



C6350 SERIES

6.35mm pitch wire to wire and wire to board connector

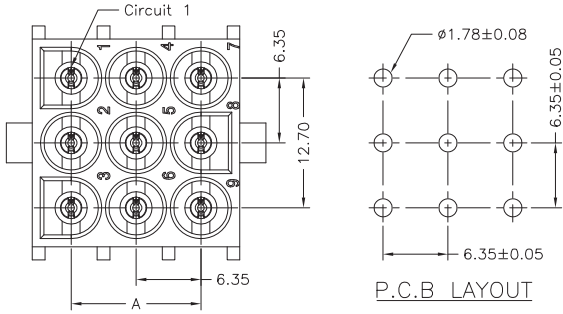
C6350WV-3

6.35mm pitch 180° Triple Row Wafer - Male Type

Reference Informations:

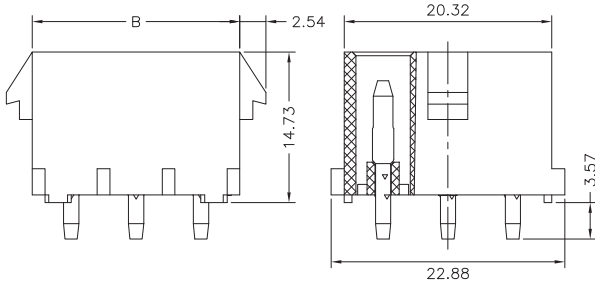
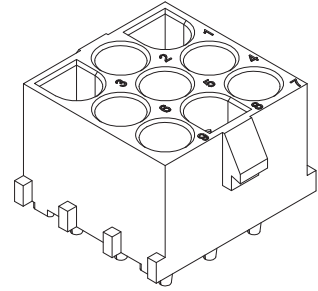
- *Material: Pin: Brass/Tin-plated
Wafer: Nylon 66,UL94V-0 or UL94V-2
- *Mates with H.R C6350HF series triple row Housing

	C6350WV-3X05P						
	N	0	W	T1	N	M0	G
①	②	③	④	⑤	⑥	⑦	
①	N=Halogen Free						
②	Material: 0=Nylon 66-V0, 2=Nylon 66-V2						
③	Color: W=White, N=Natural(Translucent)						
④	Plating code: T1=Tin-plated						
⑤	Plating code: N=Non-plating						
⑥	Option code: M0=Male pin						
⑦	Packing code: G=Bag						



Ordering Information:

- C6350WV-3XNPM ***
- 1 2
- Part No.
 - Material:
V0-UL94V-0
V2-UL94V-2



Ordering Information & Dimensions:

PART NO.	Dimensions	
	A	B
C6350WV-3X02PM	6.35	13.97
C6350WV-3X03PM	12.70	20.32
C6350WV-3X04PM	19.05	26.67
C6350WV-3X05PM	25.40	33.02

Unit:mm

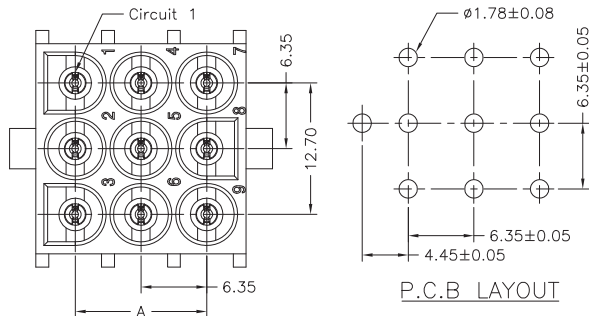
C6350WV-F-3

6.35mm pitch 180° Triple Row Wafer With Polarizing Peg - Male Type

Reference Informations:

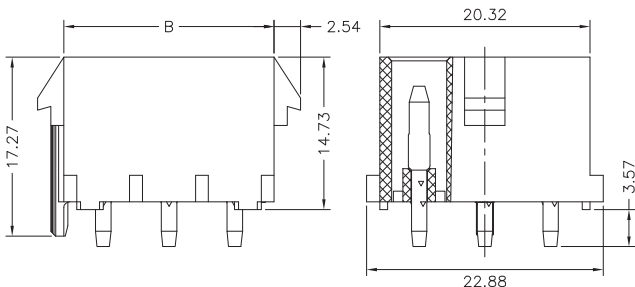
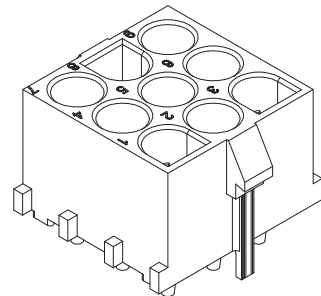
- *Material: Pin: Brass/Tin-plated
Wafer: Nylon 66,UL94V-0 or UL94V-2
- *Mates with H.R C6350HF series triple row Housing

	C6350WV-F-3X05P						
	N	0	W	T1	N	M0	G
①	②	③	④	⑤	⑥	⑦	
①	N=Halogen Free						
②	Material: 0=Nylon 66-V0, 2=Nylon 66-V2						
③	Color: W=White, N=Natural(Translucent)						
④	Plating code: T1=Tin-plated						
⑤	Plating code: N=Non-plating						
⑥	Option code: M0=Male pin						
⑦	Packing code: G=Bag						



Ordering Information:

- C6350WV-F-3XNPM ***
- 1 2
- Part No.
 - Material:
V0-UL94V-0
V2-UL94V-2



Ordering Information & Dimensions:

PART NO.	Dimensions	
	A	B
C6350WV-F-3X02PM	6.35	13.97
C6350WV-F-3X03PM	12.70	20.32
C6350WV-F-3X04PM	19.05	26.67
C6350WV-F-3X05PM	25.40	33.02

Unit:mm



C6350 SERIES

6.35mm pitch wire to wire and wire to board connector

C6350WV

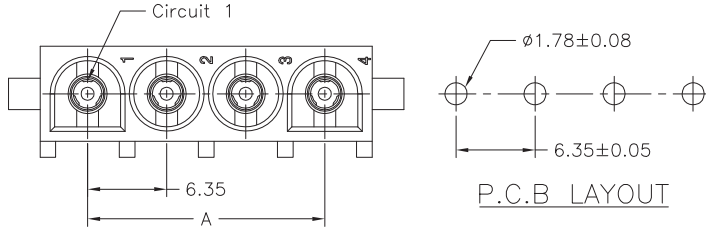
6.35mm pitch 180° Single Row Wafer - Female Type

Reference Informations:

- *Material: Pin: Brass/Tin-plated
Wafer: Nylon 66,UL94V-0 or UL94V-2
- *Mates with H.R C6350HF series single row Housing

	C6350WV-05P	N	0	W	T1	N	F0	G
		①	②	③	④	⑤	⑥	⑦

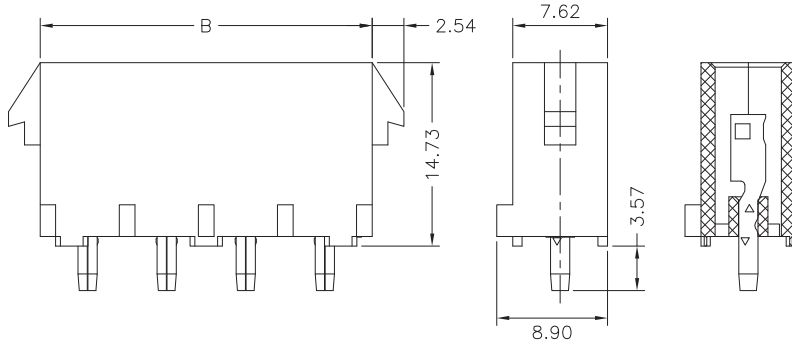
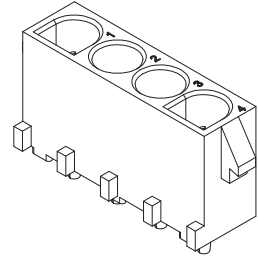
① N=Halogen Free
② Material: 0=Nylon 66-V0, 2=Nylon 66-V2
③ Color: W=White, N=Natural(Translucent)
④ Plating code: T1=Tin-plated
⑤ Plating code: N=Non-plating
⑥ Option code: F0=Female pin
⑦ Packing code: G=Bag



Ordering Information:

C6350WV-XPF *

- 1. Part No.
- 2. Material:
V0-UL94V-0
V2-UL94V-2



Ordering Information & Dimensions:

PART NO.	Dimensions	
	A	B
C6350WV-02PF	6.35	13.97
C6350WV-03PF	12.70	20.32
C6350WV-04PF	19.05	26.67
C6350WV-05PF	25.40	33.02
C6350WV-06PF	31.75	39.37
C6350WV-08PF	44.45	52.07

Unit:mm

C6350WV-F

6.35mm pitch 180° Single Row Wafer With Polarizing Peg - Female Type

Reference Informations:

- Material: Pin: Brass/Tin-plated
Wafer: Nylon 66,UL94V-0 or UL94V-2
- *Mates with H.R C6350HF series single row Housing

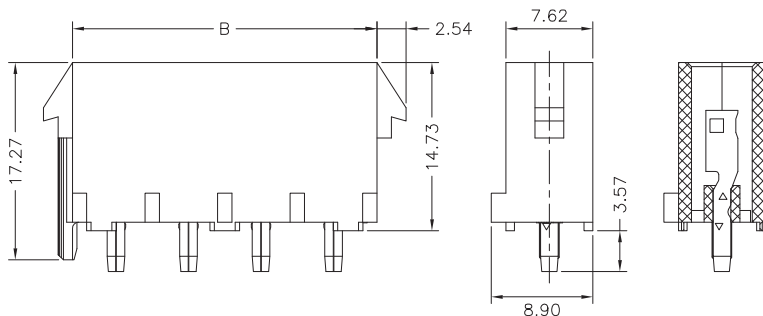
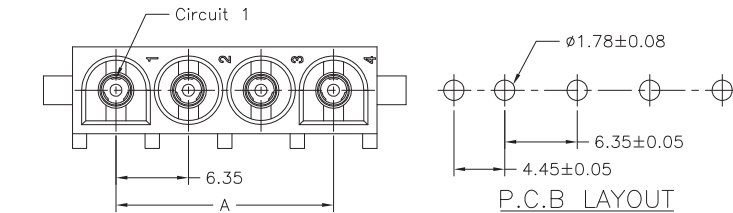
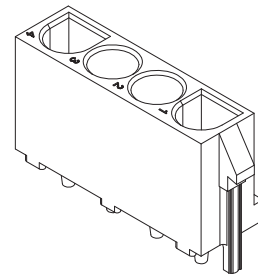
	C6350WV-F-05P	N	0	W	T1	N	F0	G
		①	②	③	④	⑤	⑥	⑦

① N=Halogen Free
② Material: 0=Nylon 66-V0, 2=Nylon 66-V2
③ Color: W=White, N=Natural(Translucent)
④ Plating code: T1=Tin-plated
⑤ Plating code: N=Non-plating
⑥ Option code: F0=Female pin
⑦ Packing code: G=Bag

Ordering Information:

C6350WV-F-XPF *

- 1. Part No.
- 2. Material:
V0-UL94V-0
V2-UL94V-2



Ordering Information & Dimensions:

PART NO.	Dimensions	
	A	B
C6350WV-F-02PF	6.35	13.97
C6350WV-F-03PF	12.70	20.32
C6350WV-F-04PF	19.05	26.67
C6350WV-F-05PF	25.40	33.02
C6350WV-F-06PF	31.75	39.37
C6350WV-F-08PF	44.45	52.07

Unit:mm



C6350 SERIES

6.35mm pitch wire to wire and wire to board connector

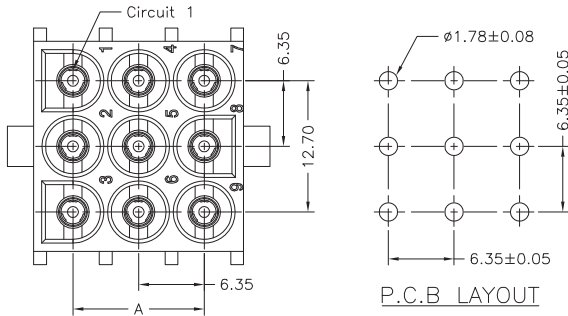
C6350WV-3

6.35mm pitch 180° Triple Row Wafer - Female Type

Reference Informations:

- *Material: Pin: Brass/Tin-plated
Wafer: Nylon 66,UL94V-0 or UL94V-2
- *Mates with H.R C6350HF series triple row Housing

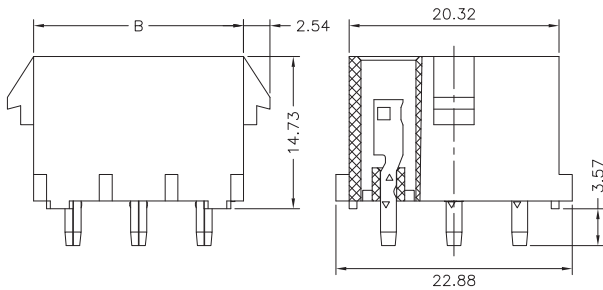
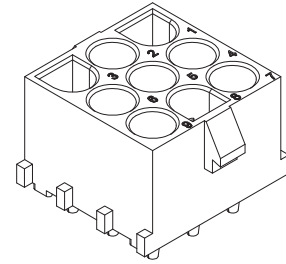
	C6350WV-3X05P						
	N	0	W	T1	N	F0	G
①	②	③	④	⑤	⑥	⑦	
① N=Halogen Free							
② Material: 0=Nylon 66-V0, 2=Nylon 66-V2							
③ Color: W=White, N=Natural(Translucent)							
④ Plating code: T1=Tin-plated							
⑤ Plating code: N=Non-plating							
⑥ Option code: F0=Female pin							
⑦ Packing code: G=Bag							



Ordering Information:

C6350WV-3XNPF *

1. Part No.
2. Material:
V0-UL94V-0
V2-UL94V-2



Ordering Information & Dimensions:

PART NO.	Dimensions	
	A	B
C6350WV-3X02PF	6.35	13.97
C6350WV-3X03PF	12.70	20.32
C6350WV-3X04PF	19.05	26.67
C6350WV-3X05PF	25.40	33.02

Unit:mm

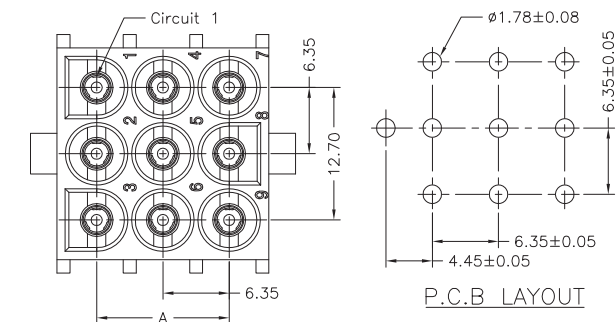
C6350WV-F-3

6.35mm pitch 180° Triple Row Wafer With Polarizing Peg - Female Type

Reference Informations:

- *Material: Pin: Brass/Tin-plated
Wafer: Nylon 66,UL94V-0 or UL94V-2
- *Mates with H.R C6350HF series triple row Housing

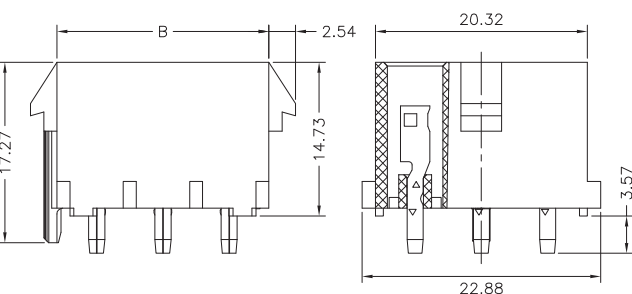
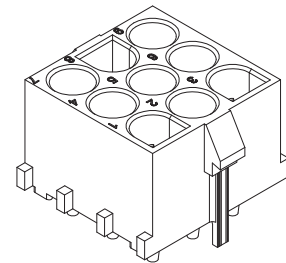
	C6350WV-F-3X05P						
	N	0	W	T1	N	F0	G
①	②	③	④	⑤	⑥	⑦	
① N=Halogen Free							
② Material: 0=Nylon 66-V0, 2=Nylon 66-V2							
③ Color: W=White, N=Natural(Translucent)							
④ Plating code: T1=Tin-plated							
⑤ Plating code: N=Non-plating							
⑥ Option code: F0=Female pin							
⑦ Packing code: G=Bag							



Ordering Information:

C6350WV-F-3XNPF *

1. Part No.
2. Material:
V0-UL94V-0
V2-UL94V-2



Ordering Information & Dimensions:

PART NO.	Dimensions	
	A	B
C6350WV-F-3X02PF	6.35	13.97
C6350WV-F-3X03PF	12.70	20.32
C6350WV-F-3X04PF	19.05	26.67
C6350WV-F-3X05PF	25.40	33.02

Unit:mm